

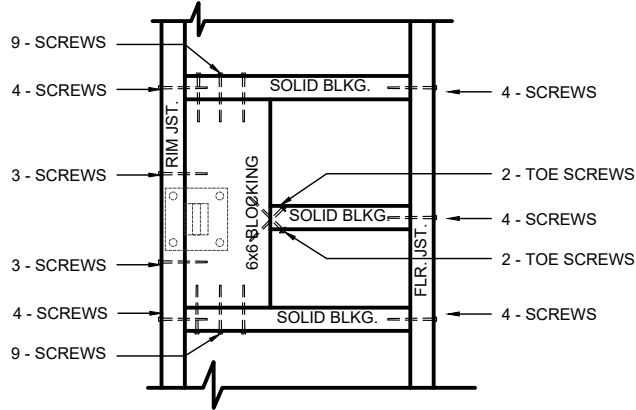
**GENERAL NOTE:**  
 FOR RESIDENTIAL O.B.C. 2012 PART 9 (HOUSE) STRUCTURES ONLY.  
 THESE DETAILS SPECIFY THE SOLID WOOD BLOCKING AND BLOCKING FASTENING ONLY.  
 GLASS GUARD SPIGOT AND FASTENERS (BY OTHERS).  
 DECKING, JOISTS AND REMAINING FASTENING & FRAMING (BY OTHERS) AS PER O.B.C. 2012.

**FASTENING NOTES:**  
 ALL FASTENERS FOR SOLID BLOCKING TO BE  
 # 8 x 3" ITW BUILDEX SCREWS CORROSION RESISTANT FOR EXTERIOR USE.  
 NUMBER OF SCREWS NOTED IN DRAWING IS FOR 2x8 FRAMING ONLY.  
 INCREASE SCREW COUNT ACCORDINGLY AS DECK JOIST DEPTH INCREASES (MAY VARY).  
 ADD 2 MORE SCREWS AT EACH LOCATION FOR 2x10.  
 ADD 4 MORE SCREWS AT EACH LOCATION FOR 2x12.  
 PRE DRILL TO AVOID SPLITTING.

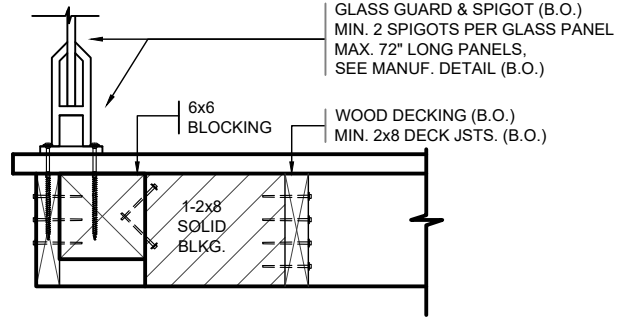
**GENERAL NOTE:**  
 LATEST ISSUE DATED DRAWINGS VOID ALL PREVIOUS VERSIONS.  
 DRAWING AND DETAILS ONLY SUITABLE FOR O.B.C. 2012 ISSUED BUILDING CODE.

**FLOOR DECK FRAMING NOTES:**  
 ALL DECK FLOOR FRAMING TO BE MINIMUM 2x8. PRESSURE TREATED NO.1 AND 2.  
 SPACED AT MAX. 24" O.C. INSTALLED AS PER O.B.C. 2012., TYPICAL ALL LOCATIONS.

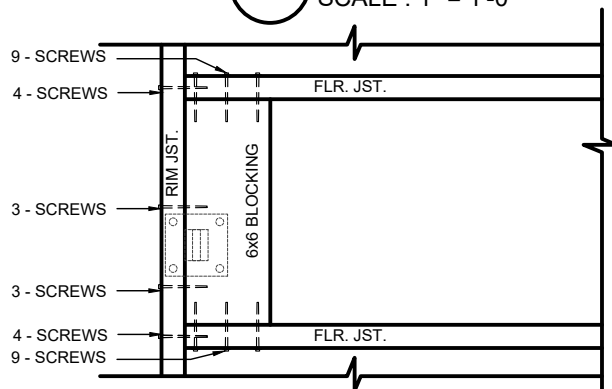
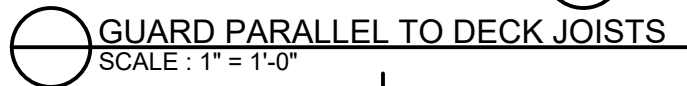
**SOLID BLOCKING NOTES:**  
 ALL SOLID BLOCKING AT SPIGOT POST LOCATIONS TO BE MINIMUM  
 6"x6" OR (5 1/2"x5 1/2") OR 4 - 2x6 (6"x5 1/2") OR 3 - 2x8 MINIMUM (4 1/2" WIDE x 7 1/4" DEEP)  
 ALL PRESSURE TREATED LUMBER TO BE MIN. NO. 1 AND 2.  
 COAT ALL END GRAIN W/ PRESERVATIVE.  
 ALL FACES AND JOINERY OF SOLID BLOCKING TO BE c/w GLUE OR ADHESIVE.  
 ALL BLOCKING LENGTHS TO MATCH DECK JOIST SPACING OF 12", 16" OR 24" O.C.  
 (NOT SHOWN TO SCALE)



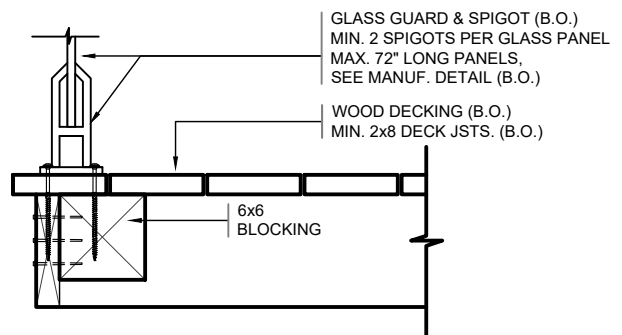
**3** FLR. JST. BLKG. PLAN VIEW  
 S1 SCALE : 1" = 1'-0"



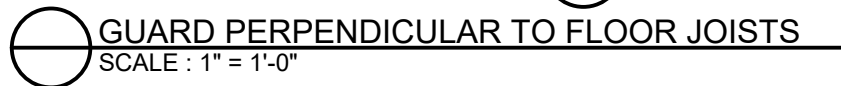
**4** FLR. JST. BLKG. SECT.  
 S1 SCALE : 1" = 1'-0"



**1** FLR. JST. BLKG. PLAN VIEW  
 S1 SCALE : 1" = 1'-0"



**2** FLR. JST. BLKG. SECT.  
 S1 SCALE : 1" = 1'-0"



**NOTES:**

- 1) THE DESIGNER HAS REVIEWED THE INFORMATION PROVIDED ON THE ATTACHED DRAWING.
- 2) THE DESIGNER DOES NOT CERTIFY THAT ALL DETAILS OF THE PROJECT ARE PROVIDED. ALL CONSTRUCTION MUST CONFORM TO THE ONTARIO BUILDING CODE, LOCAL REGULATIONS AND AUTHORITIES HAVING JURISDICTION.
- 3) CONTRACTOR MUST REVIEW AND VERIFY THAT ALL DRAWINGS ARE DIMENSIONALLY ACCURATE, THE DESIGN CONCEPT IS CONSTRUCTIBLE AND CONFORMS TO ALL ITEMS AND DOCUMENTS RELATED TO THIS PROJECT INCLUDING EXISTING SITE CONDITIONS, SITE PLAN AGREEMENTS, OTHER DESIGNER'S WORK TO FORM A PART OF THIS PROJECT, ETC. PRIOR TO PROCEEDING WITH THE WORK.
- 4) CONTRACTOR/AGENT/OWNER MUST NOTIFY THE DESIGNER OF ANY CHANGES, ERRORS OR OMISSIONS.
- 5) DRAWING IS NOT TO BE SCALED.
- 6) THE DESIGNER DOES NOT ACCEPT RESPONSIBILITY FOR OTHER DESIGNER'S WORK, SUCH AS, BUT NOT LIMITED TO, MECHANICAL, ELECTRICAL, PLUMBING, PRE-ENGINEERED PRODUCT DESIGN, ETC.
- 7) THE DESIGNER DOES NOT ACCEPT RESPONSIBILITY FOR ANY FINAL CONSTRUCTION ASSEMBLIES THAT VIOLATE THE APPLICABLE BUILDING CODES.
- 8) THE DESIGNER MUST BE GIVEN 48 HR. NOTICE TO PERFORM ANY SITE REVIEWS OF THE CONSTRUCTION (IF REQUIRED). SITE REVIEWS ARE NOT PART OF THE ORIGINAL DESIGN CONTRACT.

**REGISTERED DESIGN FIRM:** AVANTI ENGINEERING & DESIGN INC. BCIN 29385  
**DESIGN FIRM REGISTRATION #:** REGISTERED DESIGNER: JASON STRADIOTTO BCIN 19153  
**INDIVIDUAL REGISTRATION #:**

THIS DRAWING IS REVIEWED AND THE FIRM NOTED ABOVE IS RESPONSIBLE FOR THE DESIGN ACTIVITIES AS SPECIFICALLY NOTED IN THE FOLLOWING AREAS.

- ✓ STRUCTURAL (PART 4)
- ✗ SMALL BUILDINGS
- ✗ LARGE BUILDINGS
- ✗ COMPLEX BUILDINGS

**STRUCTURAL DESIGN BY:**  
**AVANTI**  
 ENGINEERING & DESIGN INC.  
 Box 240, Oro, Ontario, L0L 2X0  
 Tel. 705-735-2900 Fax 705-487-2201  
 Email: jason.stradiotto@avantiengineering.ca



**Client:**  
 FRAMELESS GLASS SYSTEM INC.  
 www.clearrail.ca

**Project Name and Address:**  
 WOOD DECK BLOCKING DETAIL  
 AT GLASS GUARD SPIGOT  
 ORILLIA, ONTARIO, CANADA.

**Drawing Name:**  
 6x6 BLOCKING DETAILS  
 FOR WOOD DECK  
 SINGLE RIM BOARD & BLOCKING

**Job:** 18-05-1447  
**Drawn By:** C.J.H.  
**Scale:** 1" = 1'-0"

**Sheet:**  
**S1**

No.	Revisions/Issue	Date
1.	ISSUED FOR PERMIT	JUNE 2ND 2018
No.	Revisions/Issue	Date

**GENERAL NOTE:**

FOR RESIDENTIAL O.B.C. 2012 PART 9 (HOUSE) STRUCTURES ONLY.  
 THESE DETAILS SPECIFY THE SOLID WOOD BLOCKING AND BLOCKING FASTENING ONLY.  
 GLASS GUARD SPIGOT AND FASTENERS (BY OTHERS).  
 DECKING, JOISTS AND REMAINING FASTENING & FRAMING (BY OTHERS) AS PER O.B.C. 2012.

**FASTENING NOTES:**

ALL FASTENERS FOR SOLID BLOCKING TO BE  
 # 8 x 3" ITW BUILDDEX SCREWS CORROSION RESISTANT FOR EXTERIOR USE.  
 NUMBER OF SCREWS NOTED IN DRAWING IS FOR 2x8 FRAMING ONLY.  
 INCREASE SCREW COUNT ACCORDINGLY AS DECK JOIST DEPTH INCREASES (MAY VARY).  
 ADD 2 MORE SCREWS AT EACH LOCATION FOR 2x10.  
 ADD 4 MORE SCREWS AT EACH LOCATION FOR 2x12.  
 PRE DRILL TO AVOID SPLITTING.

**GENERAL NOTE:**

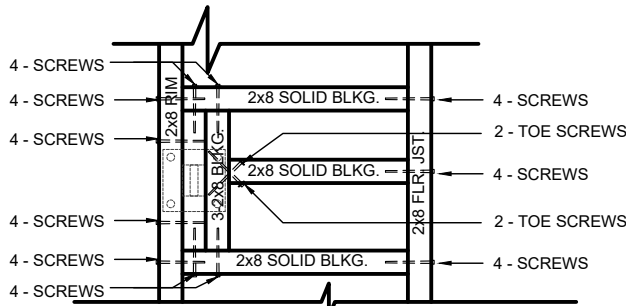
LATEST ISSUE DATED DRAWINGS VOID ALL PREVIOUS VERSIONS.  
 DRAWING AND DETAILS ONLY SUITABLE FOR O.B.C. 2012 ISSUED BUILDING CODE.

**FLOOR DECK FRAMING NOTES:**

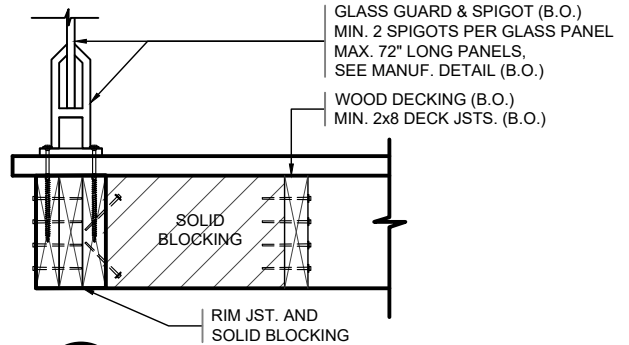
ALL DECK FLOOR FRAMING TO BE MINIMUM 2x8. PRESSURE TREATED NO.1 AND 2.  
 SPACED AT MAX. 24" O.C. INSTALLED AS PER O.B.C. 2012., TYPICAL ALL LOCATIONS.

**SOLID BLOCKING NOTES:**

ALL SOLID BLOCKING AT **SPIGOT POST LOCATIONS** TO BE MINIMUM  
 6"x6" OR (5 1/2"x5 1/2") OR 4 - 2x6 (6"x5 1/2") OR 3 - 2x8 MINIMUM (4 1/2" WIDEX7 1/2" DEEP)  
 ALL PRESSURE TREATED LUMBER TO BE MIN. NO. 1 AND 2.  
 COAT ALL END GRAIN W/ PRESERVATIVE.  
 ALL FACES AND JOINERY OF SOLID BLOCKING TO BE c/w GLUE OR ADHESIVE.  
 ALL BLOCKING LENGTHS TO MATCH DECK JOIST SPACING OF 12", 16" OR 24" O.C.  
 (NOT SHOWN TO SCALE)

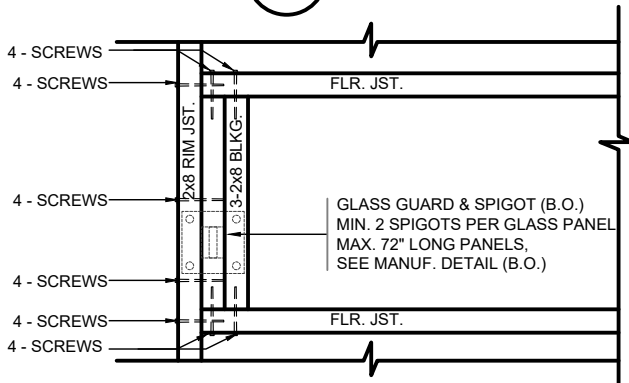


**3** FLR. JST. BLKG. PLAN VIEW  
 S2 SCALE: 1" = 1'-0"

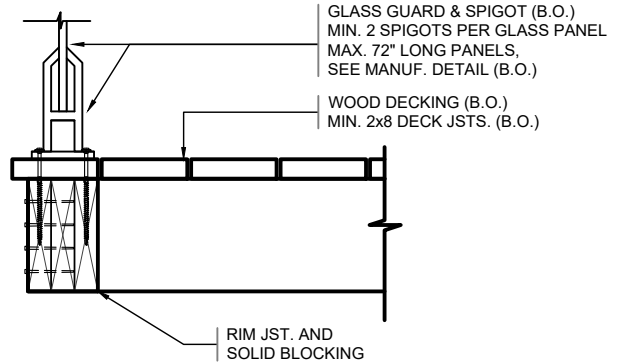


**4** FLR. JST. BLKG. SECT.  
 S2 SCALE: 1" = 1'-0"

**GUARD PARALLEL TO DECK JOISTS**  
 SCALE: 1" = 1'-0"



**1** FLR. JST. BLKG. PLAN VIEW  
 S2 SCALE: 1" = 1'-0"



**2** FLR. JST. BLKG. SECT.  
 S2 SCALE: 1" = 1'-0"

**GUARD PERPENDICULAR TO FLOOR JOISTS**  
 SCALE: 1" = 1'-0"

**NOTES:**

- 1) THE DESIGNER HAS REVIEWED THE INFORMATION PROVIDED ON THE ATTACHED DRAWING.
- 2) THE DESIGNER DOES NOT CERTIFY THAT ALL DETAILS OF THE PROJECT ARE PROVIDED. ALL CONSTRUCTION MUST CONFORM TO THE ONTARIO BUILDING CODE, LOCAL REGULATIONS AND AUTHORITIES HAVING JURISDICTION.
- 3) CONTRACTOR MUST REVIEW AND VERIFY THAT ALL DRAWINGS ARE DIMENSIONALLY ACCURATE, THE DESIGN CONCEPT IS CONSTRUCTIBLE AND CONFORMS TO ALL ITEMS AND DOCUMENTS RELATED TO THIS PROJECT INCLUDING EXISTING SITE CONDITIONS, SITE PLAN AGREEMENTS, OTHER DESIGNER'S WORK TO FORM A PART OF THIS PROJECT, ETC. PRIOR TO PROCEEDING WITH THE WORK.
- 4) CONTRACTOR/AGENT/OWNER MUST NOTIFY THE DESIGNER OF ANY CHANGES, ERRORS OR OMISSIONS.
- 5) DRAWING IS NOT TO BE SCALED.
- 6) THE DESIGNER DOES NOT ACCEPT RESPONSIBILITY FOR OTHER DESIGNER'S WORK, SUCH AS, BUT NOT LIMITED TO, MECHANICAL, ELECTRICAL, PLUMBING, PRE-ENGINEERED PRODUCT DESIGN, ETC.
- 7) THE DESIGNER DOES NOT ACCEPT RESPONSIBILITY FOR ANY FINAL CONSTRUCTION ASSEMBLIES THAT VIOLATE THE APPLICABLE BUILDING CODES.
- 8) THE DESIGNER MUST BE GIVEN 48 HR. NOTICE TO PERFORM ANY SITE REVIEWS OF THE CONSTRUCTION (IF REQUIRED). SITE REVIEWS ARE NOT PART OF THE ORIGINAL DESIGN CONTRACT.

REGISTERED DESIGN FIRM: AVANTI ENGINEERING & DESIGN INC. BCIN 29385  
 DESIGN FIRM REGISTRATION #: REGISTERED DESIGNER: JASON STRADIOTTO BCIN 19153  
 INDIVIDUAL REGISTRATION #:

THIS DRAWING IS REVIEWED AND THE FIRM NOTED ABOVE IS RESPONSIBLE FOR THE DESIGN ACTIVITIES AS SPECIFICALLY NOTED IN THE FOLLOWING AREAS.

- STRUCTURAL (PART 4)
- SMALL BUILDINGS
- LARGE BUILDINGS
- COMPLEX BUILDINGS

STRUCTURAL DESIGN BY:  
**AVANTI**  
 ENGINEERING & DESIGN INC.  
 Box 240, Oro, Ontario, L0L 2X0  
 Tel. 705-735-2900 Fax 705-487-2201  
 Email: jason.stradiotto@avantengineering.ca



Client: FRAMELESS GLASS SYSTEM INC. www.clearrail.ca

Project Name and Address: **WOOD DECK BLOCKING DETAIL AT GLASS GUARD SPIGOT**  
 ORILLIA, ONTARIO, CANADA.

Drawing Name: **BUILT-UP BLOCKING DETAILS FOR WOOD DECK, SINGLE RIM BOARD W/ SOLID BLOCKING**

Job: 18-05-1447  
 Drawn By: C.J.H.  
 Scale: 1" = 1'-0"

Sheet: **S2**

No.	Revisions/Issue	Date
1.	ISSUED FOR PERMIT	JUNE 2ND 2018
No.	Revisions/Issue	Date

**GENERAL NOTE:**

FOR RESIDENTIAL O.B.C. 2012 PART 9 (HOUSE) STRUCTURES ONLY.  
 THESE DETAILS SPECIFY THE SOLID WOOD BLOCKING AND BLOCKING FASTENING ONLY.  
 GLASS GUARD SPIGOT AND FASTENERS (BY OTHERS).  
 DECKING, JOISTS AND REMAINING FASTENING & FRAMING (BY OTHERS) AS PER O.B.C. 2012.

**FASTENING NOTES:**

ALL FASTENERS FOR SOLID BLOCKING TO BE  
 # 8 x 3" ITW BUILDDEX SCREWS CORROSION RESISTANT FOR EXTERIOR USE.  
 NUMBER OF SCREWS NOTED IN DRAWING IS FOR 2x8 FRAMING ONLY.  
 INCREASE SCREW COUNT ACCORDINGLY AS DECK JOIST DEPTH INCREASES (MAY VARY).  
 ADD 2 MORE SCREWS AT EACH LOCATION FOR 2x10.  
 ADD 4 MORE SCREWS AT EACH LOCATION FOR 2x12.  
 PRE DRILL TO AVOID SPLITTING.

**GENERAL NOTE:**

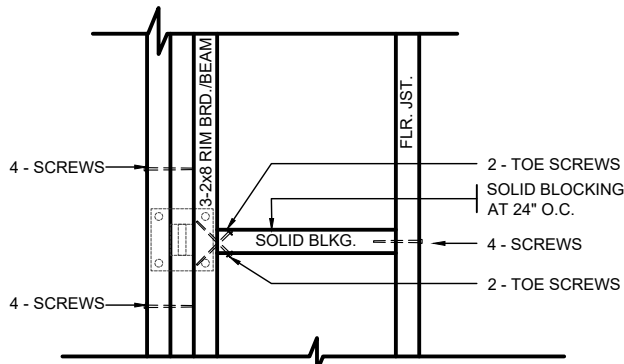
LATEST ISSUE DATED DRAWINGS VOID ALL PREVIOUS VERSIONS.  
 DRAWING AND DETAILS ONLY SUITABLE FOR O.B.C. 2012 ISSUED BUILDING CODE.

**FLOOR DECK FRAMING NOTES:**

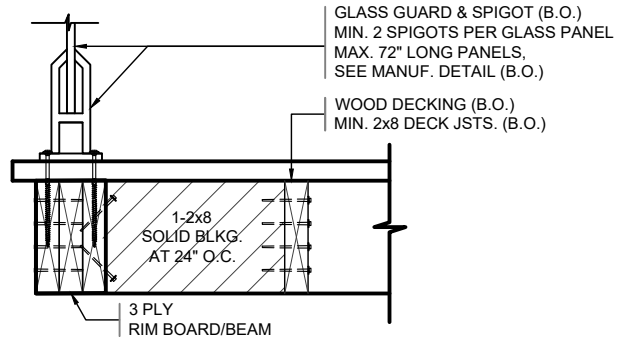
ALL DECK FLOOR FRAMING TO BE MINIMUM 2x8. PRESSURE TREATED NO.1 AND 2.  
 SPACED AT MAX. 24" O.C. INSTALLED AS PER O.B.C. 2012., TYPICAL ALL LOCATIONS.

**SOLID BLOCKING NOTES:**

ALL SOLID BLOCKING AT SPIGOT POST LOCATIONS TO BE MINIMUM  
 6"x6" OR (5 1/2"x5 1/2") OR 4 - 2x6 (6"x5 1/2") OR 3 - 2x8 MINIMUM (4 1/2" WIDEX7 1/4" DEEP)  
 ALL PRESSURE TREATED LUMBER TO BE MIN. NO. 1 AND 2.  
 COAT ALL END GRAIN W/ PRESERVATIVE.  
 ALL FACES AND JOINERY OF SOLID BLOCKING TO BE c/w GLUE OR ADHESIVE.  
 ALL BLOCKING LENGTHS TO MATCH DECK JOIST SPACING OF 12", 16" OR 24" O.C.  
 (NOT SHOWN TO SCALE)

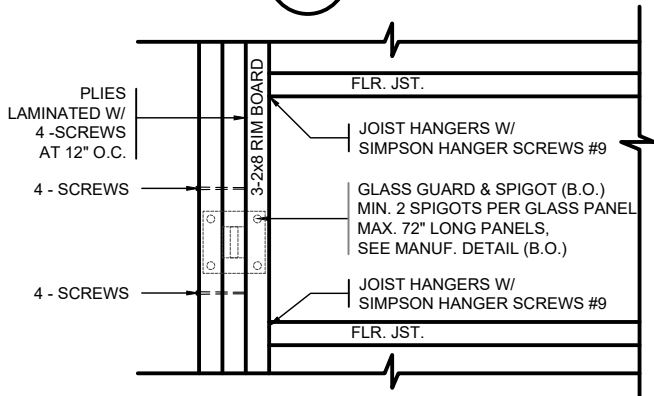


**3** FLR. JST. BLKG. PLAN VIEW  
**S3** SCALE : 1" = 1'-0"

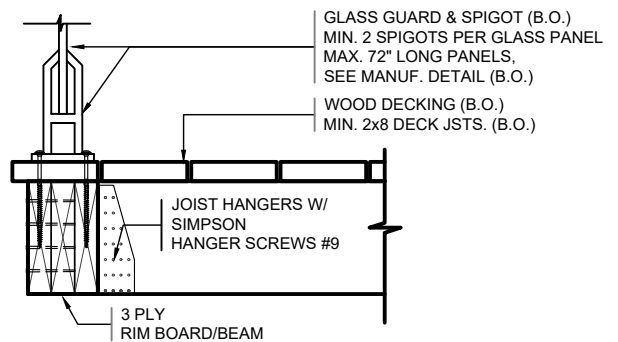


**4** FLR. JST. BLKG. SECT.  
**S3** SCALE : 1" = 1'-0"

**GUARD PARALLEL TO DECK JOISTS**  
 SCALE : 1" = 1'-0"



**1** FLR. JST. BLKG. PLAN VIEW  
**S3** SCALE : 1" = 1'-0"



**2** FLR. JST. BLKG. SECT.  
**S3** SCALE : 1" = 1'-0"

**GUARD PERPENDICULAR TO FLOOR JOISTS**  
 SCALE : 1" = 1'-0"

**NOTES:**

- 1) THE DESIGNER HAS REVIEWED THE INFORMATION PROVIDED ON THE ATTACHED DRAWING.
- 2) THE DESIGNER DOES NOT CERTIFY THAT ALL DETAILS OF THE PROJECT ARE PROVIDED. ALL CONSTRUCTION MUST CONFORM TO THE ONTARIO BUILDING CODE, LOCAL REGULATIONS AND AUTHORITIES HAVING JURISDICTION.
- 3) CONTRACTOR MUST REVIEW AND VERIFY THAT ALL DRAWINGS ARE DIMENSIONALLY ACCURATE, THE DESIGN CONCEPT IS CONSTRUCTIBLE AND CONFORMS TO ALL ITEMS AND DOCUMENTS RELATED TO THIS PROJECT INCLUDING EXISTING SITE CONDITIONS, SITE PLAN AGREEMENTS, OTHER DESIGNER'S WORK TO FORM A PART OF THIS PROJECT, ETC. PRIOR TO PROCEEDING WITH THE WORK.
- 4) CONTRACTOR/AGENT/OWNER MUST NOTIFY THE DESIGNER OF ANY CHANGES, ERRORS OR OMISSIONS.
- 5) DRAWING IS NOT TO BE SCALED.
- 6) THE DESIGNER DOES NOT ACCEPT RESPONSIBILITY FOR OTHER DESIGNER'S WORK, SUCH AS, BUT NOT LIMITED TO, MECHANICAL, ELECTRICAL, PLUMBING, PRE-ENGINEERED PRODUCT DESIGN, ETC.
- 7) THE DESIGNER DOES NOT ACCEPT RESPONSIBILITY FOR ANY FINAL CONSTRUCTION ASSEMBLIES THAT VIOLATE THE APPLICABLE BUILDING CODES.
- 8) THE DESIGNER MUST BE GIVEN 48 HR. NOTICE TO PERFORM ANY SITE REVIEWS OF THE CONSTRUCTION (IF REQUIRED). SITE REVIEWS ARE NOT PART OF THE ORIGINAL DESIGN CONTRACT.

REGISTERED DESIGN FIRM: AVANTI ENGINEERING & DESIGN INC. BCIN 29385  
 DESIGN FIRM REGISTRATION #: REGISTERED DESIGNER: JASON STRADIOTTO BCIN 19153  
 INDIVIDUAL REGISTRATION #:

THIS DRAWING IS REVIEWED AND THE FIRM NOTED ABOVE IS RESPONSIBLE FOR THE DESIGN ACTIVITIES AS SPECIFICALLY NOTED IN THE FOLLOWING AREAS.

- STRUCTURAL (PART 4)
- SMALL BUILDINGS
- LARGE BUILDINGS
- COMPLEX BUILDINGS

STRUCTURAL DESIGN BY:  
**AVANTI**  
 ENGINEERING & DESIGN INC.  
 Box 240, Oro, Ontario, L0L 2X0  
 Tel. 705-735-2900 Fax 705-487-2201  
 Email: jason.stradiotto@avantiengineering.ca



Client: FRAMELESS GLASS SYSTEM INC. www.clearrail.ca

Project Name and Address: **WOOD DECK BLOCKING DETAIL AT GLASS GUARD SPIGOT**  
 ORILLIA, ONTARIO, CANADA.

Drawing Name: **BUILT-UP BLOCKING DETAILS FOR WOOD DECK AT 3 PLY RIM BOARD**

Job: 18-05-1447

Drawn By: C.J.H.

Scale: 1" = 1'-0"

Sheet: **S3**

No.	Revisions/Issue	Date
1.	ISSUED FOR PERMIT	JUNE 2ND 2018

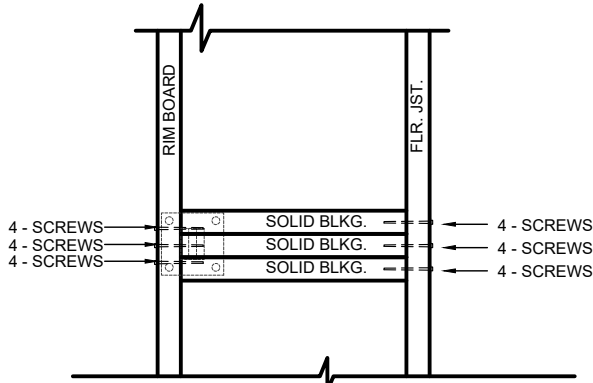
**GENERAL NOTE:**  
 FOR RESIDENTIAL O.B.C. 2012 PART 9 (HOUSE) STRUCTURES ONLY.  
 THESE DETAILS SPECIFY THE SOLID WOOD BLOCKING AND BLOCKING FASTENING ONLY.  
 GLASS GUARD SPIGOT AND FASTENERS (BY OTHERS).  
 DECKING, JOISTS AND REMAINING FASTENING & FRAMING (BY OTHERS) AS PER O.B.C. 2012.

**FASTENING NOTES:**  
 ALL FASTENERS FOR SOLID BLOCKING TO BE  
 # 8 x 3" ITW BUILDEX SCREWS CORROSION RESISTANT FOR EXTERIOR USE.  
 NUMBER OF SCREWS NOTED IN DRAWING IS FOR 2x8 FRAMING ONLY.  
 INCREASE SCREW COUNT ACCORDINGLY AS DECK JOIST DEPTH INCREASES (MAY VARY).  
 ADD 2 MORE SCREWS AT EACH LOCATION FOR 2x10.  
 ADD 4 MORE SCREWS AT EACH LOCATION FOR 2x12.  
 PRE DRILL TO AVOID SPLITTING.

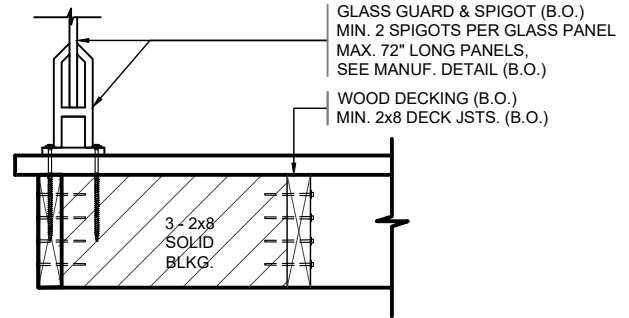
**GENERAL NOTE:**  
 LATEST ISSUE DATED DRAWINGS VOID ALL PREVIOUS VERSIONS.  
 DRAWING AND DETAILS ONLY SUITABLE FOR O.B.C. 2012 ISSUED BUILDING CODE.

**FLOOR DECK FRAMING NOTES:**  
 ALL DECK FLOOR FRAMING TO BE MINIMUM 2x8. PRESSURE TREATED NO.1 AND 2.  
 SPACED AT MAX. 24" O.C. INSTALLED AS PER O.B.C. 2012., TYPICAL ALL LOCATIONS.

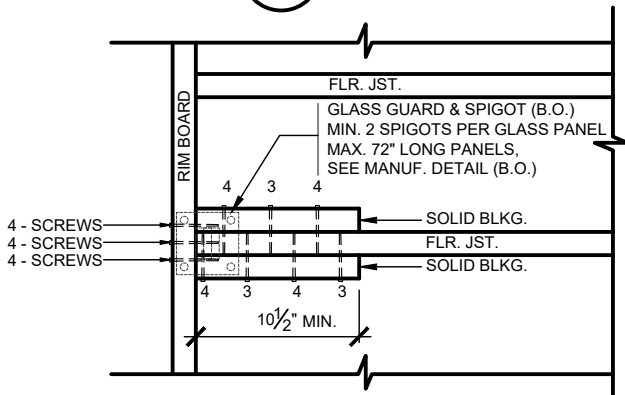
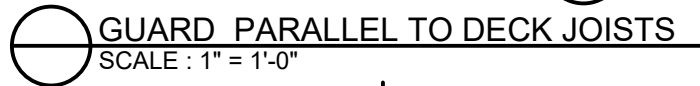
**SOLID BLOCKING NOTES:**  
 ALL SOLID BLOCKING AT SPIGOT POST LOCATIONS TO BE MINIMUM  
 6"x6" OR (5 1/2"x5 1/2") OR 4 - 2x6 (6"x5 1/2") OR 3 - 2x8 MINIMUM (4 1/2" WIDEX7 1/4" DEEP)  
 ALL PRESSURE TREATED LUMBER TO BE MIN. NO. 1 AND 2.  
 COAT ALL END GRAIN W/ PRESERVATIVE.  
 ALL FACES AND JOINERY OF SOLID BLOCKING TO BE c/w GLUE OR ADHESIVE.  
 ALL BLOCKING LENGTHS TO MATCH DECK JOIST SPACING OF 12", 16" OR 24" O.C.  
 (NOT SHOWN TO SCALE)



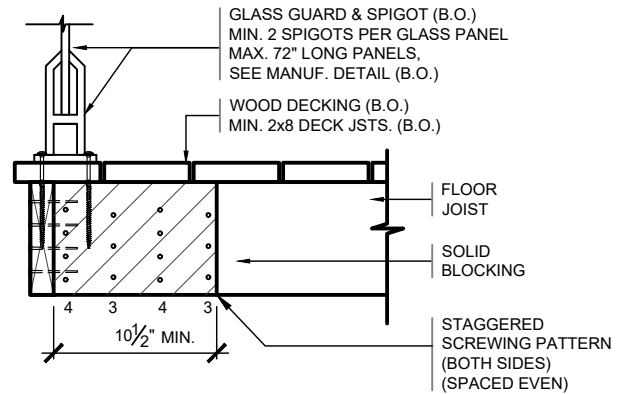
**3** FLR. JST. BLKG. PLAN VIEW  
**S4** SCALE : 1" = 1'-0"



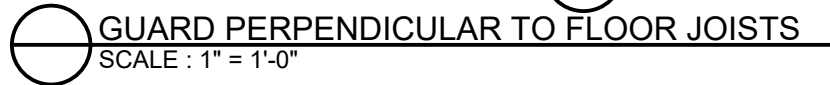
**4** FLR. JST. BLKG. SECT.  
**S4** SCALE : 1" = 1'-0"



**1** FLR. JST. BLKG. PLAN VIEW  
**S4** SCALE : 1" = 1'-0"



**2** FLR. JST. BLKG. SECT.  
**S4** SCALE : 1" = 1'-0"



**NOTES:**

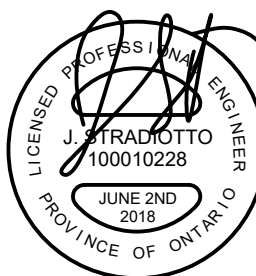
- 1) THE DESIGNER HAS REVIEWED THE INFORMATION PROVIDED ON THE ATTACHED DRAWING.
- 2) THE DESIGNER DOES NOT CERTIFY THAT ALL DETAILS OF THE PROJECT ARE PROVIDED. ALL CONSTRUCTION MUST CONFORM TO THE ONTARIO BUILDING CODE, LOCAL REGULATIONS AND AUTHORITIES HAVING JURISDICTION.
- 3) CONTRACTOR MUST REVIEW AND VERIFY THAT ALL DRAWINGS ARE DIMENSIONALLY ACCURATE, THE DESIGN CONCEPT IS CONSTRUCTIBLE AND CONFORMS TO ALL ITEMS AND DOCUMENTS RELATED TO THIS PROJECT INCLUDING EXISTING SITE CONDITIONS, SITE PLAN AGREEMENTS, OTHER DESIGNER'S WORK TO FORM A PART OF THIS PROJECT, ETC. PRIOR TO PROCEEDING WITH THE WORK.
- 4) CONTRACTOR/AGENT/OWNER MUST NOTIFY THE DESIGNER OF ANY CHANGES, ERRORS OR OMISSIONS.
- 5) DRAWING IS NOT TO BE SCALED.
- 6) THE DESIGNER DOES NOT ACCEPT RESPONSIBILITY FOR OTHER DESIGNER'S WORK, SUCH AS, BUT NOT LIMITED TO, MECHANICAL, ELECTRICAL, PLUMBING, PRE-ENGINEERED PRODUCT DESIGN, ETC.
- 7) THE DESIGNER DOES NOT ACCEPT RESPONSIBILITY FOR ANY FINAL CONSTRUCTION ASSEMBLIES THAT VIOLATE THE APPLICABLE BUILDING CODES.
- 8) THE DESIGNER MUST BE GIVEN 48 HR. NOTICE TO PERFORM ANY SITE REVIEWS OF THE CONSTRUCTION (IF REQUIRED). SITE REVIEWS ARE NOT PART OF THE ORIGINAL DESIGN CONTRACT.

REGISTERED DESIGN FIRM: AVANTI ENGINEERING & DESIGN INC. BCIN 29385  
 DESIGN FIRM REGISTRATION #: REGISTERED DESIGNER: JASON STRADIOTTO BCIN 19153  
 INDIVIDUAL REGISTRATION #:

THIS DRAWING IS REVIEWED AND THE FIRM NOTED ABOVE IS RESPONSIBLE FOR THE DESIGN ACTIVITIES AS SPECIFICALLY NOTED IN THE FOLLOWING AREAS.

- ✓ STRUCTURAL (PART 4)
- ✗ SMALL BUILDINGS
- ✗ LARGE BUILDINGS
- ✗ COMPLEX BUILDINGS

STRUCTURAL DESIGN BY:  
**AVANTI**  
 ENGINEERING & DESIGN INC.  
 Box 240, Oro, Ontario, L0L 2X0  
 Tel. 705-735-2900 Fax 705-487-2201  
 Email: jason.stradiotto@avantiengineering.ca



Client: FRAMELESS GLASS SYSTEM INC. www.clearrail.ca

Project Name and Address: **WOOD DECK BLOCKING DETAIL AT GLASS GUARD SPIGOT**  
 ORILLIA, ONTARIO, CANADA.

Drawing Name: **BUILT-UP BLOCKING DETAILS FOR WOOD DECK SINGLE RIM BOARD**

Job: 18-05-1447

Drawn By: C.J.H.

Scale: 1" = 1'-0"

Sheet: **S4**

No.	Revisions/Issue	Date
1.	ISSUED FOR PERMIT	JUNE 2ND 2018